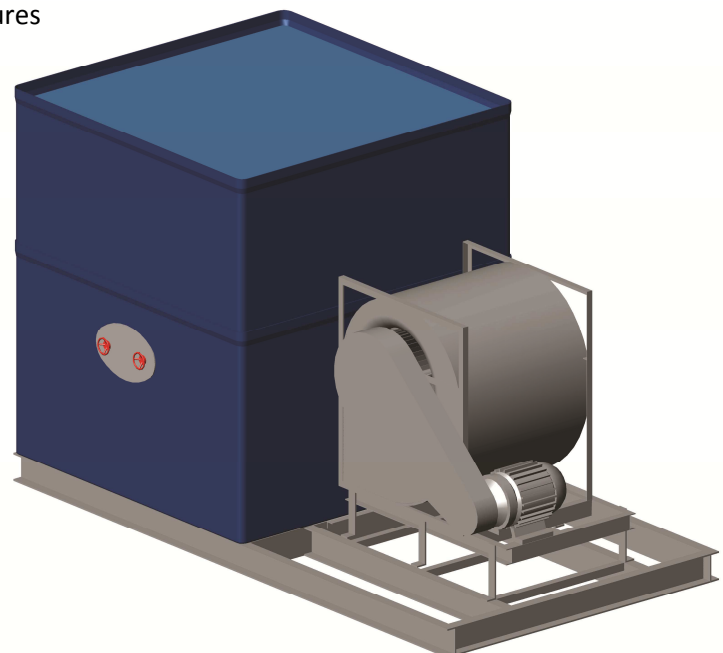
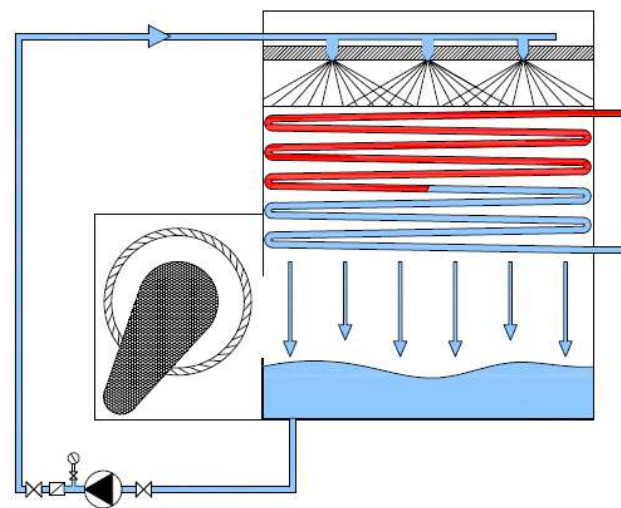


## Cooling Towers

### Closed Circuit – EWK-DC (DAC)

- Closed circuit Cooling Tower, with casing made of fibreglass-reinforced polyester.
- Materials highly resistant to all aggressive conditions, as well as to extreme temperatures
- Includes the basin in order to ease the handling and downloading
- Design with low profile to fit in small spaces
- High performance, double-action, forced draught radial fan with Epoxi protection
- The fan is driven by a three-phase motor and V-belts
- Without direct contact with the outside, the fluid is preserved from any fouling or pollution.
- All moving parts are protected by grids
- Total vibration isolation
- HCS (High Conductivity System) coil, made of hot galvanized steel.
- Drift Eliminator in Polypropylene with anti-legionella treatment ([SANIPACKING®](#))
- Low noise emission levels, being able to minimize with silencers (DAC model)
- Doors that provide easier access to the tower, for the maintenance and cleaning of the internal elements
- Additional equipment :
  - Inlet silencer for noise attenuation in ventilation unit)
  - Exhaust silencer (to reduce sound from the leaving air)
  - Winter pack (Thermostat & Immersion heater) to protect from low temperatures
  - Electric motor frequency converters
  - Sensors for the level of water (max. y min.) in the basin.





## Our advantages

<ul style="list-style-type: none"> <li>• Solid, corrosion-free FRP-casings</li> </ul>	<ul style="list-style-type: none"> <li>• Extreme long-lifespan</li> <li>• Resistant to all aggressive conditions</li> </ul>
<ul style="list-style-type: none"> <li>• Use of high quality components such as motors, fans, water distribution and fills</li> </ul>	<ul style="list-style-type: none"> <li>• Reliable operation of the cooling tower</li> <li>• Allows high process stability</li> </ul>
<ul style="list-style-type: none"> <li>• Use of energy efficient motors IE3</li> </ul>	<ul style="list-style-type: none"> <li>• Low energy consumption</li> <li>• Low costs of operation</li> <li>• Easy to manage</li> </ul>
<ul style="list-style-type: none"> <li>• Doors to access the internals</li> </ul>	<ul style="list-style-type: none"> <li>• Low maintenance costs</li> </ul>
<ul style="list-style-type: none"> <li>• Drift eliminators anti-legionella <b>SANIPACKING®</b></li> </ul>	<ul style="list-style-type: none"> <li>• Increased health and safety</li> <li>• More safety for the direct neighborhood</li> </ul>
<ul style="list-style-type: none"> <li>• Pre-assembled in our factory. Finishings at site</li> </ul>	<ul style="list-style-type: none"> <li>• Assembly takes less time</li> </ul>

## Your benefits

Model	*Dissip. kW	Empty weight kg	Service weight kg	Recirculation Pump kw	Fan Power kw	Long mm	Width mm	High mm
<b>NO SILENCER –WITH SILENCER (DC) – (DAC)</b>	<b>DC/DAC</b>	<b>DC/DAC</b>	<b>DC/DAC</b>	<b>DC /DAC</b>	<b>DC /DAC</b>	<b>DC/DAC</b>	<b>DC/DAC</b>	<b>DC/DAC</b>
EWK/DC 225/3 / EWK/DAC 225/3	99	1360/1710	2360/2710	0,75	3,0	3459/4459	1612/1612	2170/3165
EWK/DC 225/4 / EWK/DAC 225/4	128	1480/1830	2480/2830	0,75	3,0	3459/4459	1612/1612	2470/3165
EWK/DC 225/5/ EWK/DAC 225/5	165	1660/2010	2660/3010	0,75	3,0	3459/4459	1612/1612	2470/3165
EWK/DC 324/3 / EWK/DAC 324/3	180	1705/2355	3180/3855	1,5	4,0	3784/4784	1896/1896	2215/3230
EWK/DC 324/4 / EWK/DAC 324/4	203	1901/2551	3450/4051	1,5	4,0	3784/4784	1896/1896	2535/3550
EWK/DC 324/5/ EWK/DAC 324/5	230	2145/2795	3780/4295	1,5	4,0	3784/4784	1896/1896	2535/3550
EWK/DC 450/3/ EWK/DAC 450/3	218	2040/2640	3920/4630	2,2	7,5	4395/5340	2209/2209	2265/3300
EWK/DC 450/4/ EWK/DAC 450/4	301	2275/2875	4185/4865	2,2	7,5	4395/5340	2209/2209	2565/3600
EWK/DC 450/5/ EWK/DAC 450/5	383	2585/3185	4465/5175	2,2	7,5	4395/5340	2209/2209	2565/3300
EWK/DC 680/3 / EWK/DAC 680/3	383	3280/3400	6200/6700	4,0	7,5	5431/6246	2369/2369	2600/3890
EWK/DC 680/4 / EWK/DAC 680/4	410	3600/3800	6500/7100	4,0	7,5	5431/6246	2369/2369	2870/4160
EWK/DC 680/5/ EWK/DAC 680/5	450	3960/4200	6900/7500	4,0	7,5	5431/6246	2369/2369	2870/4160
EWK/DC 900/3 / EWK/DAC 900/3	492	3880/5030	7200/8400	4,0	11,0	6762/7772	2092/2092	2600/3890
EWK/DC 900/4 / EWK/DAC 900/4	555	4200/5350	7600/8800	4,0	11,0	6762/7772	2092/2092	2870/4160
EWK/DC 900/5 / EWK/DAC 900/5	559	4560/5710	8010/9160	4,0	11,0	6762/7772	2092/2092	2870/4160

\*Heat rejection at the following conditions: Tin: 35,0 °C, Tout: 30,0 °C, Twb: 24,0 °C

## EWK Equipos de Refrigeración, S.A.

Ps de la Castellana 163 – 28046 Madrid  
 Tel. +34 91 567 57 00 / Fax. +34 91 567 57 86  
 ewk@ewk.eu/ www.ewk.eu